



Woodworking machinery at its best!

**AIR FILTER
MODEL: AF760
OWNERS MANUAL**



**Charnwood Machinery Ltd, Cedar Court, Walker Road,
Bardon Hill, Leicestershire, LE67 1TU
Tel. 01530 516 926 Fax. 01530 516 929
email: sales@charnwood.net website: www.charnwood.net**

GENERAL SAFETY RULES



WARNING: Do not attempt to operate the machine until you have read thoroughly and understood completely all instructions, rules, etc. contained in this manual. Failure to comply may result in accidents involving fire, electric shock, or serious personal injury. Keep this owner's manual and review frequently for continuous safe operation.

1. Know your machine. For your own safety, read the owner's manual carefully. Learn its application and limitations, as well as specific potential hazards pertinent to this machine.
2. Make sure all tools are properly earthed.
3. Keep guards in place and in working order. If a guard must be removed for maintenance or cleaning, make sure it is properly replaced before using the machine again.
4. Remove adjusting keys and spanners. Form a habit of checking to see that the keys and adjusting spanners are removed from the machine before switched it on.
5. Keep your work area clean. Cluttered areas and workbenches increase the chance of an accident.
6. Do not use in dangerous environments. Do not use power tools in damp or wet locations, or expose them to rain. Keep work areas well illuminated.
7. Keep children away. All visitors should be kept a safe distance
8. from the work area.
9. Make workshop childproof. Use padlocks, master switches and remove starter keys.
10. Do not force the machine. It will do the job better and be safer at the rate for which it is designed.
11. Use the right tools. Do not force the machine or attachments to do a job for which they are not designed. Contact the manufacturer or distributor if there is any question about the machine's suitability for a particular task.
12. Wear proper apparel. Avoid loose clothing, gloves, ties, rings, bracelets, and jewellery which could get caught in moving parts. Non-slip footwear is recommended. Wear protective hair covering to contain long hair.
13. Always use safety glasses. Normal spectacles only have impact resistant lenses. They are not safety glasses.
14. Do not over-reach. Keep proper footing and balance at all times.
15. Maintain the machine in good condition. Keep the machine clean for best and safest performance. Follow instructions for lubrication and changing accessories.
16. Disconnect the machine from power source before servicing and when changing the blade.
17. Never leave the machine running unattended. Turn the power off. Do not leave the machine until it comes to a complete stop.
18. Do not use any power tools while under the effects of drugs, alcohol or medication.
19. Always wear a face or dust mask if operation creates a lot of dust and/or chips. Always operate the tool in a well ventilated area and provide for proper dust removal. Use a suitable dust extractor.



Risk of Injury.
Never reach into
a moving part



Wear Eye
Protection



Wear Ear
Protection

AF760 Air Filter Overview



AF760 Specification

Motor (Induction)	95w (1/8hp) / 240v
Motor Speeds	1000 / 1200 / 1400rpm
Outer Filter	5 Micron
Inner Filter	1 Micron
Air Flow	595, 680, 760 m3/hr
Noise Level	61dB, 62dB, 64dB
Max. Room Volume	126m3 (10m x 5m)
Manufacturer's Warranty	5 year
Rating	Hobby

Rating Description

Hobby: Suitable for Weekend DIY'ers and woodworking enthusiasts.

Generally lighter weight machines with lower power ratings and smaller tooling capacities. Typically only ever used by one person for short periods of time or longer periods of time infrequently. Machinery should be well maintained in a clean, dry environment such as a home workshop, garage or timber shed.

Expected maximum use of 100 hours annually.

Please Note: Using a product in excess of its rating will void the manufacturer's free warranty.

Unpacking



All items are contained in one carton.



Carefully unpack and check that all the items are present.

Assembly



Turn the Air Filter onto its side

Press the 4 rubber feet into the holes in the base of the Air Filter.

Tip: Use a small flat screwdriver to help press the flange through the hole.



Place the air filter onto a flat surface and screw 4 hanging hooks into the threaded holes.

Positioning The Filter



The Air Filter can either be ceiling mounted or bench mounted.

Ceiling mounted: Use the hanging chains and hooks provided to suspend it from the ceiling or exposed rafters.

Ideally the Air Filter wants to be mounted in the middle of the workshop or above the machinery that is producing the most dust.



Bench mounted: Sat on a work bench or on a shelf.

If positioned on a bench or shelf there must be a minimum gap of 300mm behind the Air Filter to allow the clean air to flow out of the filter.

Using Manual Control



Plug the power cord in.

Press the green ON/SPEED button once for Low, twice for Medium and three times for High speed.

Note: The LED light on the control panel will show what speed the unit is currently running at.

When finished using the air filter press the red off button.

Using the Remote Control



Speed Function

Press the ON/SPEED button once for Low speed, twice for Medium speed and three times for High speed.

Press the Off button to turn the Air Filter off.

Timer Function

The timer function allows the Air Filter to run on after you have finished working to clear the airborne dust for a period of 1, 2 or 4 hours.

To use this function, press the TIMER button on the remote handset. Once for 1 hour, twice for 2 hours or three times for 4 hours.

Note: The LED light on the control panel will show you what time period you have selected.

Active Flow Sensor

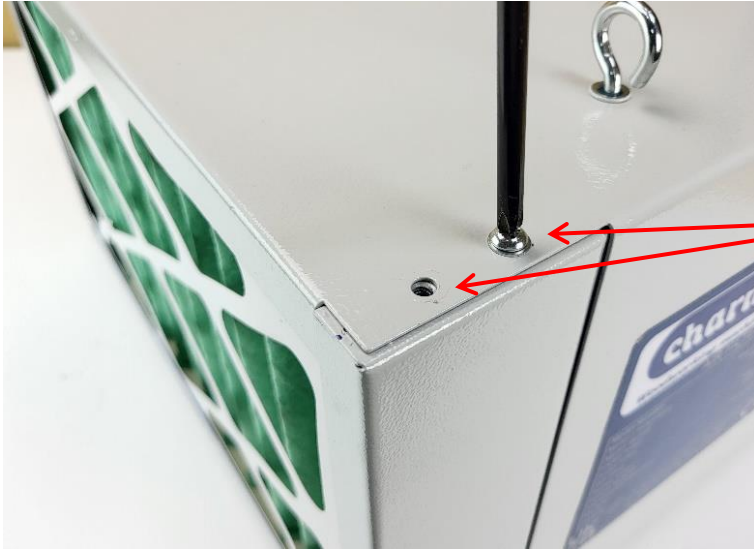


The Active Flow Sensor detects when the air flow falls below the operating threshold due to the filters becoming blocked.

When the filter is blocked an alarm will sound and the top row of lights on the control panel will start flashing.

Once the filters are cleaned or replaced: reset the system by holding in the ON/SPEED button for around 10 seconds, then release.

Removing the Filters



Periodically the filters will need removing for cleaning and eventually they will need replacing.

Remove the side plate by undoing the two screws on the top of the Air Filter.



The outer filter will now slide out of the opening.



Once the outer filter is removed the inner filter can slide forward and out of the opening.

Troubleshooting

Problem	Cause	Remedy
Machine does not start	Blown fuse in plug	Replace fuse
	Tripped fuse on MCB	Reset Fuse
	Loose switch terminal	Inspect back of switch
	Faulty switch	Replace switch
Remote Handset not working	Failed Motor	Replace Motor
	Expired battery	Replace battery
Machine does not run at full speed	Motor is damaged	Check and repair motor
	Unit is shaking	The unit isn't properly anchored
Unit is shaking	The unit isn't level	Mount the unit firmly
	Motor overheats	Maximum run time exceeded
Performance deteriorates	Clogged filters	Allow to cool then restart
	Expired filter	Remove and clean filters
	Expired filter	Replace the outer Filter
Airflow diminished	Air outlet restricted	Replace the inner Filter
		Ensure 300mm of clear space around the outlet



Please dispose of packaging for the product in a responsible manner. It is suitable for recycling. Help to protect the environment, take the packaging to the local amenity tip and place into the appropriate recycling bin.



Only for EU countries

Do not dispose of electric tools together with household waste material!

In observance of European Directive 2002/96/EC on waste electrical and electronic equipment (EEE) and its implementation in accordance with national law, electric tools that have reached the end of their life must be collected separately and returned to an environmentally compatible recycling facility.



Your local refuse amenity will have a separate collection area for EEE goods

Declaration of Conformity


Charnwood Declare that Air Filtration System AF760

Conforms with the following Directives: Machinery Directive 2006/42/EC
EMC Directive 2014/30/EU

Conforms with the following UK Regulations: Supply of Machinery (Safety) Regulations 2008
Electrical Equipment (Safety) Regulations 2016

And further conforms to the machinery example for which the EC type examination Certificate No. AM 50461053 and AE 50461157 have been issued by TUV Rheinland LGA Products GmbH, Tillystrasse 2, 90431 Nurnberg, Germany.

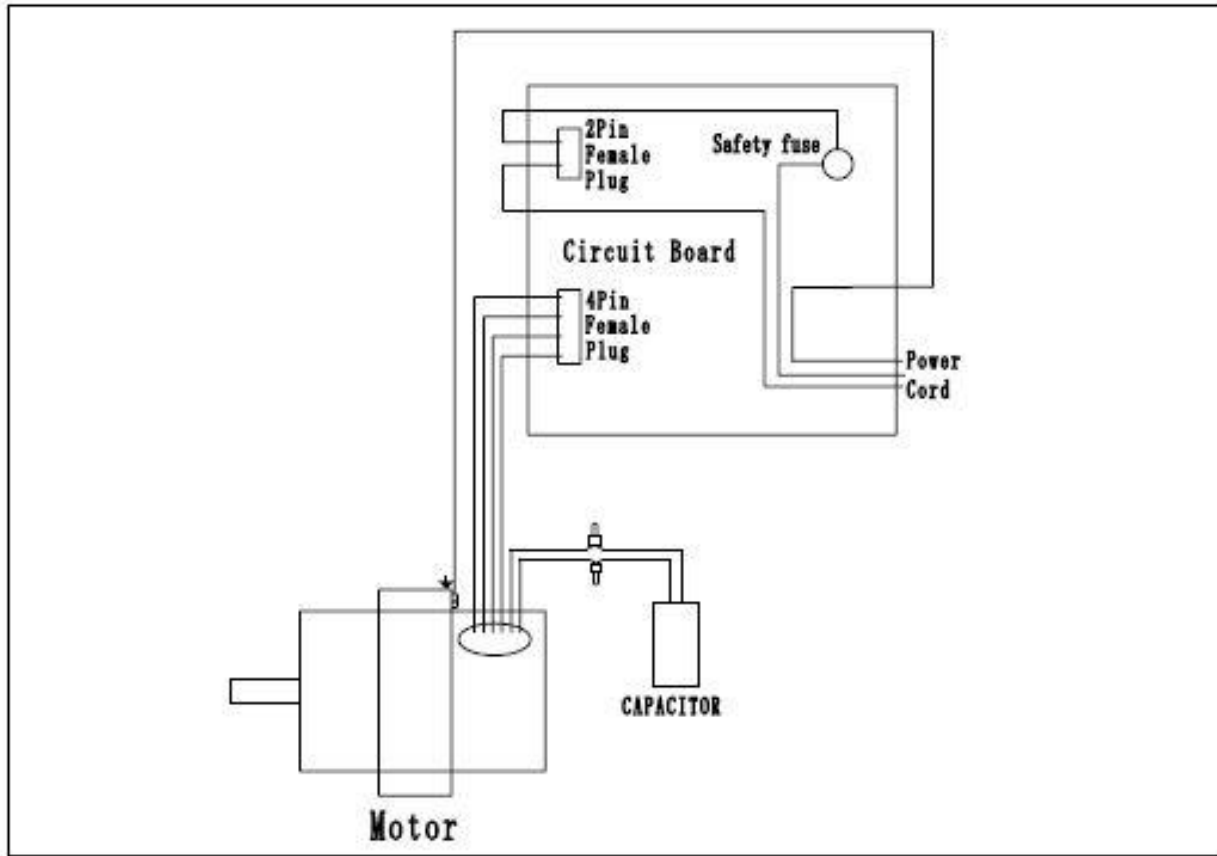
I hereby declare that equipment named above has been tested and found to comply with the relevant sections of the above referenced specifications. The machinery complies with all essential requirements of the directives and regulations.

Signed:  Dated: 01/07/2023 Location: Leicestershire

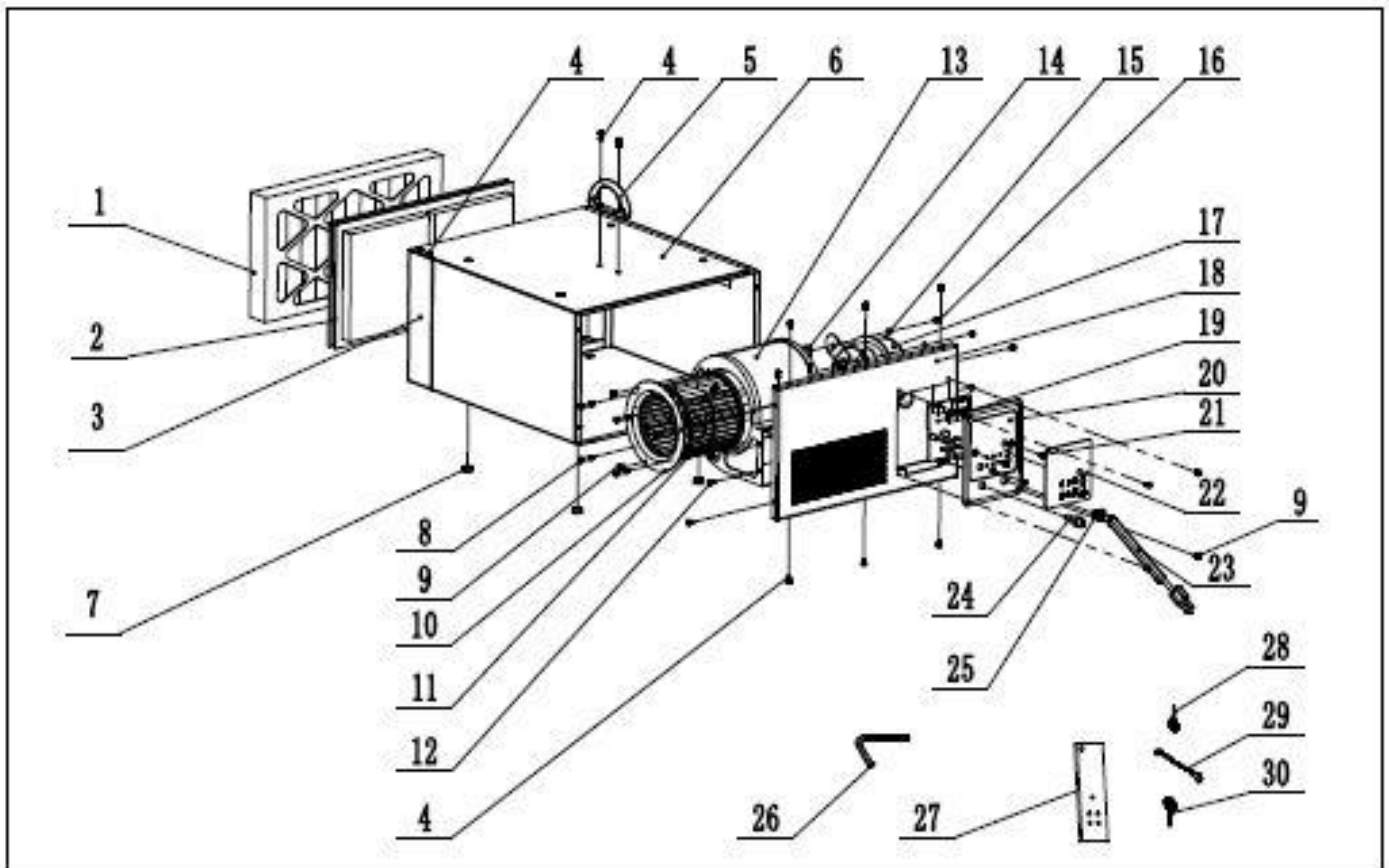
Richard Cook, Director



AF760 Air Filter Wiring Diagram



AF760 Air Filter Parts Drawing



AF760 Air Filter Parts List

Part No.	Description	Qty	Part No.	Description	Qty
01	Outer Filter	1	16	M5 Nut	4
02	Inner Filter	1	17	Motor	1
03	Filter Plate	1	18	Cover Plate	1
04	M5 x 8mm Screw	14	19	PCB	1
05	Handle	1	20	Switch Plate	1
06	Main Body	1	21	M4 x 20mm Screw	3
07	Rubber Foot	4	22	Switch Plate Label	1
08	M5 x 25mm Hex Head Screw	4	23	Power Cord	1
09	M4 x 8mm Screw	8	24	Fuse	1
10	Flange	1	25	Gromet	1
11	Fan	1	26	Allen Key	1
12	M4 x 8mm Hex Head Screw	8	27	Remote Control	1
13	Fan Housing	1	28	M4 x 40mm Woodscrew Hook	4
14	Rubber Shock Absorber Pad	4	29	Steel Chain	4
15	M5 Washer	4	30	M6 x 40mm Eye Bolt	4



Woodworking machinery at its best!

Updated July 2023

Charnwood Machinery Ltd, Cedar Court, Walker Road, Bardon Hill, Leicestershire, LE67 1TU, England

Tel. 01530 516 926 email: sales@charnwood.net website: www.charnwood.net